



HERCULES® UNIVERSAL SINK HARNESS

Step-by-Step Installation Guide

The Hercules® Universal Sink Harness will work on most types of sink installation, including ceramic, stainless steel single or double basin, and even cast iron undermount sinks.

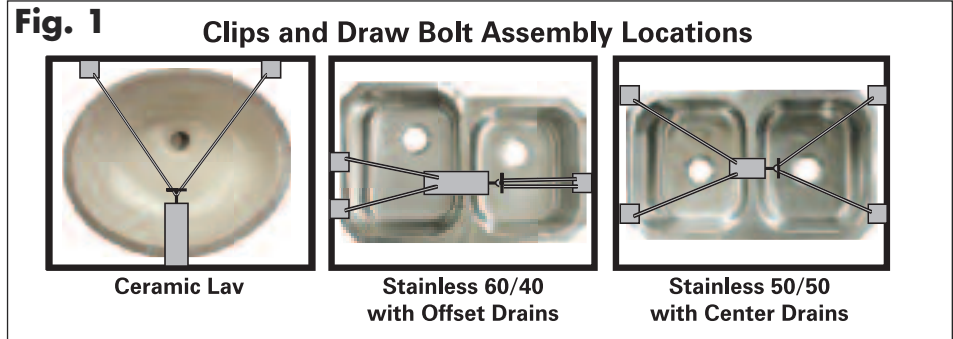
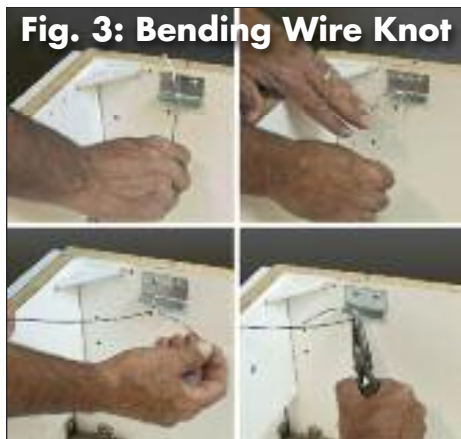
Note: The type of sink you're installing will determine your installation method, and how you locate your clips and string your harness.

Before installation, check sink (hold up to template) and mark center of sink on the cabinet. Mark the clip locations needed for that specific sink installation to determine path for the harness. The harness wires should be strung so as to avoid the sink drain openings and plumbing. For most installations, there should be three attachment points inside the cabinet. You should use four attachment points for a center drain 50-50 sink (Fig. 1).

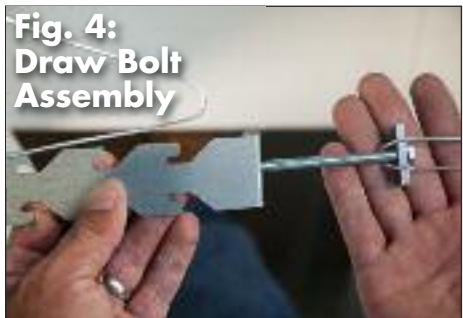
Line the clips up with the edge of the cabinet (two on one side, on most installations) and mount with supplied screws. (Fig 2).



Insert supplied wire up through a clip hole and bend into a "V" shape. Bend the upper end underneath lower end to make a bend in the wire, then bring over into a knot, and crimp the wire to set it with pliers. Repeat steps to attach the loose end of wire into the second clip to make a "V". The end of the "V" shaped wire should be 2-3 inches from the center of the sink installation area.



Depending on your sink type, the 3rd attachment point will be either the draw bolt assembly itself or another clip (see Fig. 1). If using another clip, you'll use both small holes to attach each end of the wire. Loop the wire underneath the clip holes to make a narrow "U" shape, leaving a 6 inch gap between the two sets of attached wires. If using the draw bolt assembly for the 3rd attachment point (See Fig. 5) mount the draw bolt assembly directly to the cabinet using the supplied screws.



Put the draw bolt assembly together. For a typical double bowl installation, bend and twist wire to make a loop around the T-nut end of the assembly (Fig. 4), then adjust as tightly as you need from the other end, fitting the "V" end of wire into the bracket hooks. Bend and fold bracket if it blocks the drain opening. The bolt has 3-1/2 inches of adjustment. Leave 3-4 extra inches of wire from the 3rd clip to help adjust sink. For a 60/40 installation, the draw bolt assembly should be centered between the two bowls (see Fig 6).



Cradle the sink on the harness leaving the wire in the 3rd clip loose. Position the sink evenly 1/2 inch below the surface. Once position is established, bring wire under and around each attachment (in clip) and crimp with pliers to lock.

Tip: Use a spirit level to check sink fit below surface of cabinet. Sink should be level and lower than where granite is installed by at least 3/8 to 1/2 inch. Adjust your sink in the Harness to fit cut out and achieve a level fit.



Before the final tightening of the Sink Harness, run a bead of silicone caulk around the undermount sink lip to create a watertight seal. Tip: With a (cordless) drill, It's fast and easy to tighten the Harness underneath an installed sink. As it tightens, the Harness will lift the sink up into position and hold it there. When properly installed, the Universal Sink Harness will withstand up to 200-250 lbs. of load.

HERCULES® UNIVERSAL SINK HARNESS

Each Hercules® Sink Harness Kit contains hardware for one sink installation:

- Eight ¾" Number 8 Pan Head (Phillips) Self-Piercing Screws
- One ¼" x 3-½" Draw Bolt
- Four Cabinet Wire Attachment Clips
- One Draw Bolt Bracket
- Two 50-inch coils of easy-bend wire

